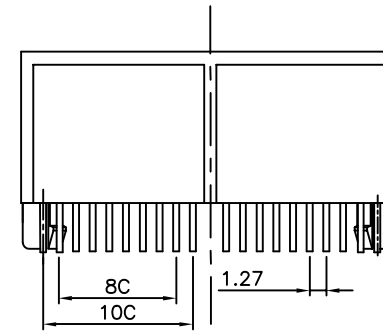
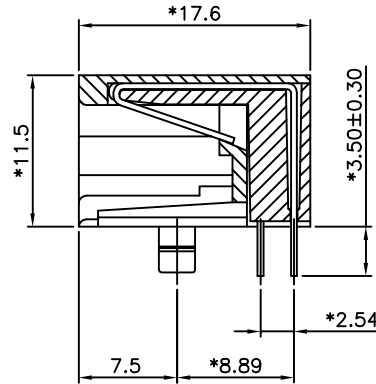
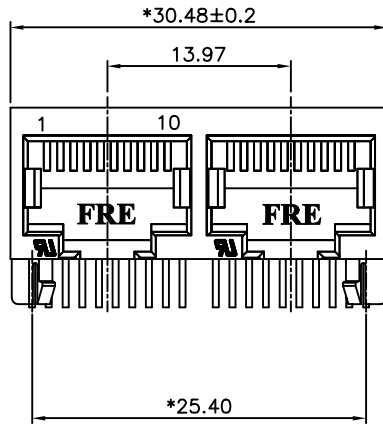


REVISION RECORD				
REV	ECO	DESCRIPTION	DRFT	CHKD



**NOTES:**

**ELECTRICAL:**

- VOLTAGE RATING : 125 VAC RMS.
- CURRENT RATING : 1.5 AMP.
- CONTACT RESISTANCE : 30 MILLIOHMS MAX.
- INSULATION RESISTANCE: 1000 MEGOHMS MIN @ 500 VDC.
- DIELECTRIC STRENGTH : 1000 VAC RMS 60Hz, 1MIN.

**MECHANICAL:**

- HOUSING MATERIAL : GLASS FILLED POLYESTER UL94V-0.
- CONTACT MATERIAL : PHOSPHOR BRONZE  $\phi 0.46\text{mm}$ .
- PLATING : GOLD PLATING OVER NICKEL.
- OPERATING LIFE : 750 CYCLES MIN.
- PCB RETENTION PRE-SOLDER : 1 LB MIN.
- PCB RETENTION POST-SOLDER: 10 LBS MIN.

**ENVIRONMENTAL:**

- STORAGE :  $-40^{\circ}\text{C}$  TO  $+85^{\circ}\text{C}$ .
- OPERATION:  $-40^{\circ}\text{C}$  TO  $+85^{\circ}\text{C}$ .
- WAVE SOLDER TEMPERATURE:  $230^{\circ}\text{C}$  TO  $250^{\circ}\text{C}$  3-5 SECOND.

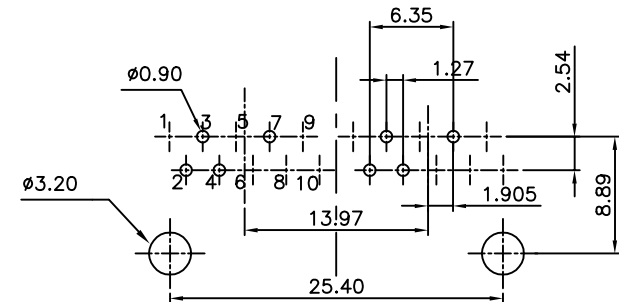
MATES WITH MODULAR PLUG CONFORMING TO

FCC PART 68, SUBPART F.

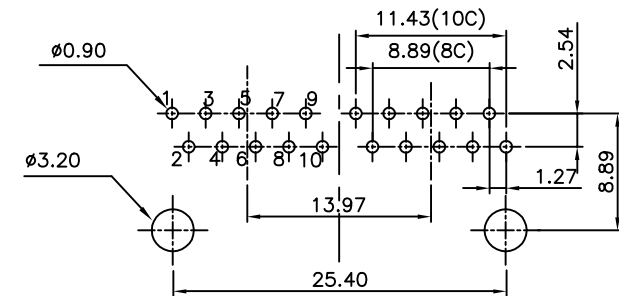
CUL FILE NO. E163191

ROHS PART NUMBER: E560X-00AX6X-L

NO. OF CONTACT	1- 3u" 2- 6u" 3- 15u"
4- 4 CONTACTS	4- 30u" 5- 50u" 6- Pd20u"
8- 8 CONTACTS	
1- 10 CONTACTS	
	0-A06-1490-L
	W-A06-1590-L 黄色(114C)



FOR : 4C



PC Board Layout t = 1.60mm  
Component Side Shown

DETACHED LISTS	MM (INCH)	DFTO CHLOE DATE 2005/07/06	FULL RISE ELECTRONIC CO., LTD	
	TOLERANCES EXCEPT AS NOTED	CHKD chloe DATE 2005/07/06		
	MM	MFO DATE	TITLE	
	.0 ±0.2 ±	APPLV Jackson DATE 2005/07/06	11.5 SIDE ENTRY PCB GANG JACK 10P	
.00 ±0.15 ±	MATERIAL :	DRAWING NO. GE563169-LC	SIZE A3	REV O
.000 ±0.075 ±	ANGLES ± 0.5	/PART NO. SEE NOTE		
	THIRD ANGLE PROJECTION	FINISH :	DO NOT SCALE DRAWING	
		SCALE :	SHEET OF	